

see what Delta can do™

TUB AND SHOWER FAUCET

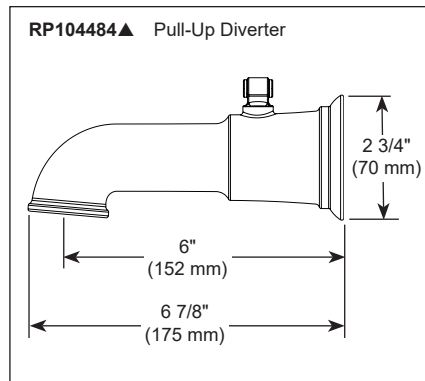
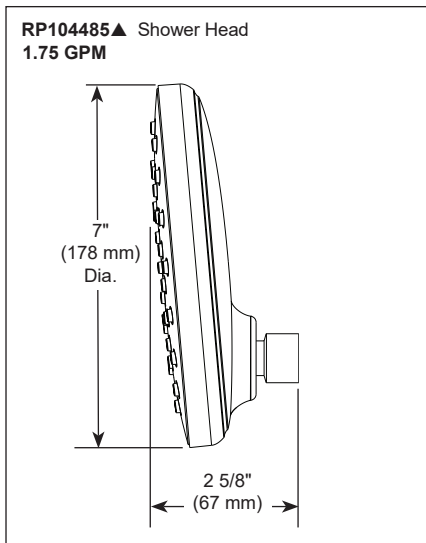
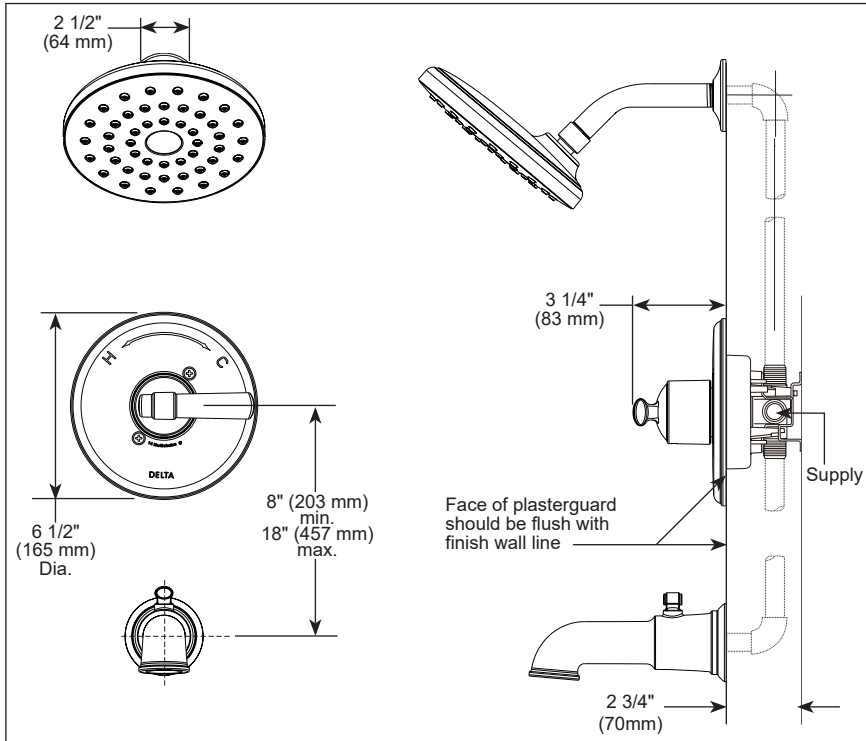
■ Kahn™ Bath Collection

FEATURES:

- Monitor® 14 Series pressure balanced single handle bath mixing valve trim
- PivotPro™ Raincan Shower Head

STANDARD SPECIFICATIONS:

- Maintains a balanced pressure of hot and cold water even when a valve is turned on or off elsewhere in the system
- For use with MultiChoice® Universal rough valve body (R10000 Series)
- Back-to-back installation capability
- Solid brass forged body
- Temperature only controlled with handle
- Field adjustable means to limit handle rotation into hot water zone
- 120° maximum handle rotation
- Max flow rate 1.75 gpm @ 80 psi, 6.6 L/min @ 550 kPa
- Tub port max flow rate 6.0 gpm @ 60 psi with R10000-UNBX
- Shower arm overall horizontal length = 5 1/2" (138 mm), including threaded ends
- Hot & Cold temperature indicators on escutcheon
- All parts replaceable from the front of the valve
- Pull-up tub spout: Threaded 1/2" NPT iron pipe, 1/2" CWT copper, sweat and slip-on applications
- Spray setting includes Full Body Spray
- Shower head is intended for overhead raincan orientation. Ball connector rotates and pivots.



WARRANTY

- Parts and Finish - Lifetime limited warranty; or for commercial purchasers, 10 years for multi-family residential (apartments and condominiums) and 5 years for all other commercial uses, in each case from the date the product is received by the original purchaser or their authorized representative (installation contractor, etc.).
- Please go to www.deltafaucet.com for the complete details of our limited warranty.



COMPLIES WITH:

- ASME A112.18.1 / CSA B125.1
- ASSE 1016 / ASME A112.1016 / CSA B125.16
- EPA WaterSense®
- ICC/ANSI A117.1 - Valve control only

▲ Designate Proper Finish Suffix